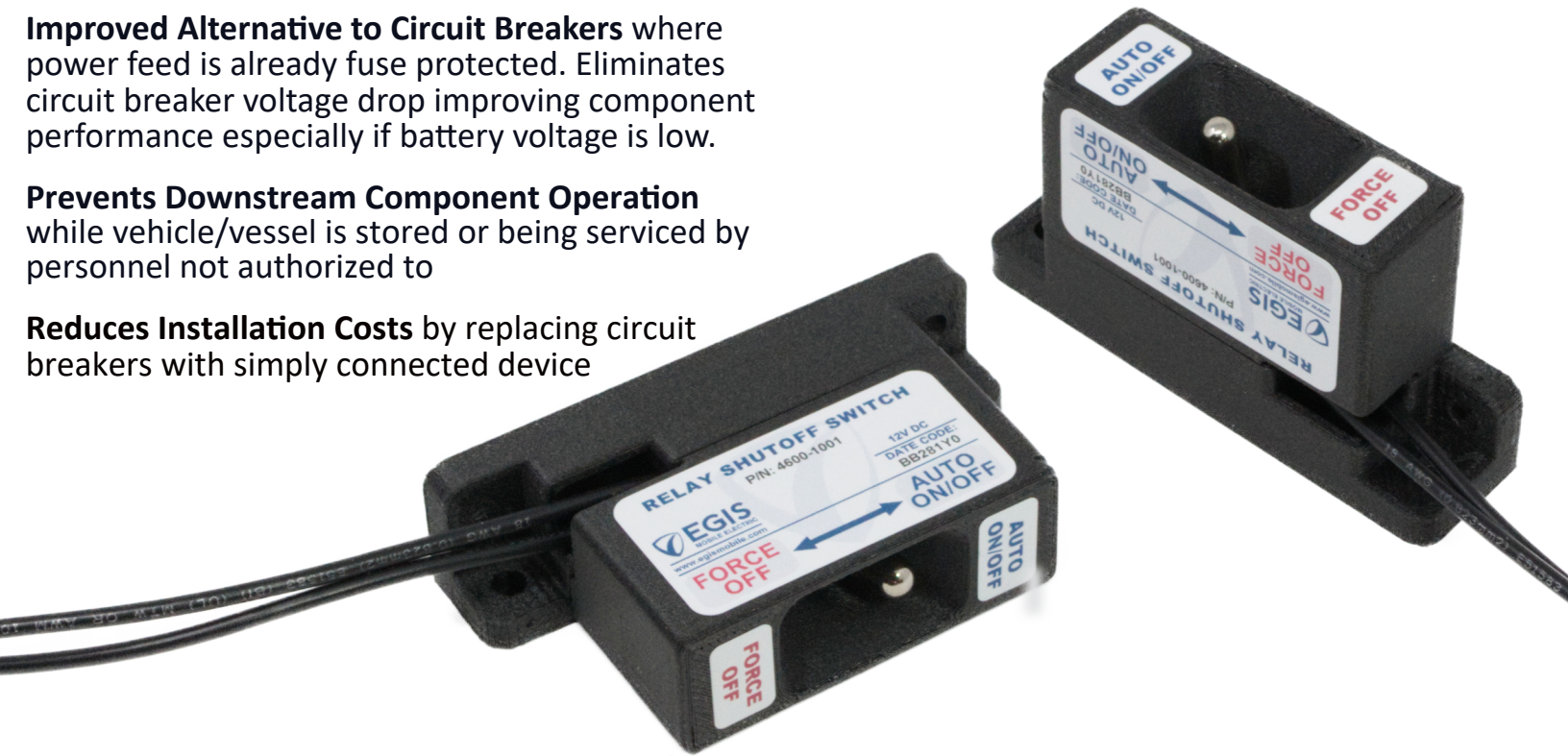


Improved Alternative to Circuit Breakers where power feed is already fuse protected. Eliminates circuit breaker voltage drop improving component performance especially if battery voltage is low.

Prevents Downstream Component Operation while vehicle/vessel is stored or being serviced by personnel not authorized to

Reduces Installation Costs by replacing circuit breakers with simply connected device



Related Product: 5015 CT Series



Protects Batteries from long-term storage drain by eliminating Off-State current draw.



Simple & Robust Installation: Pre-terminated wiring for plug & play connection to TH Series MX-150 control connector ensures load side of switch connection is fully environmentally sealed.



Compact Solution surface mounts vertically or horizontally to maximize installation flexibility. Panel mount installation hardware also included.

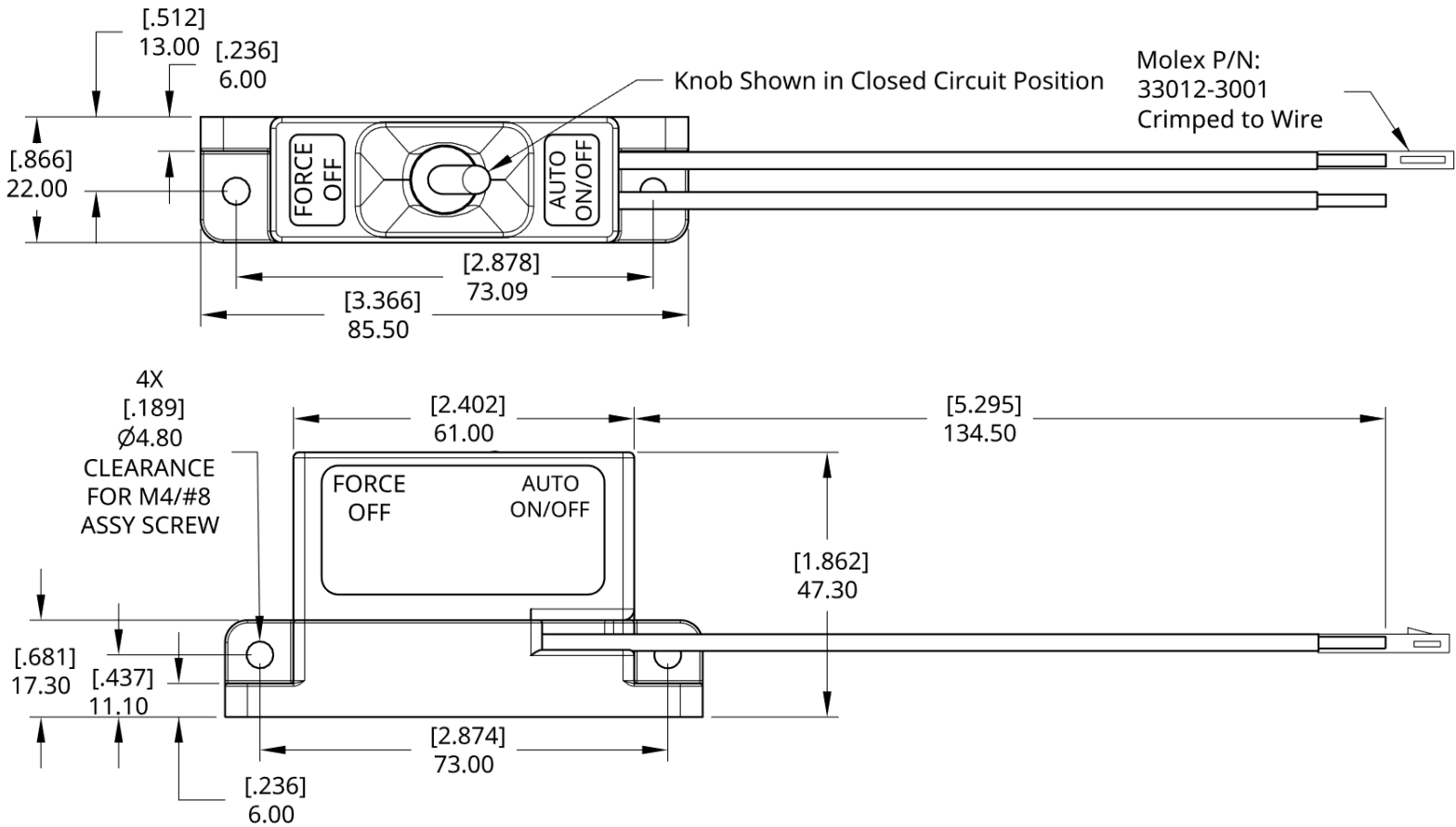


Robust Construction: Carbon fiber reinforced housing, heavy action toggle, tin plated wires.



Lifetime Satisfaction Guarantee

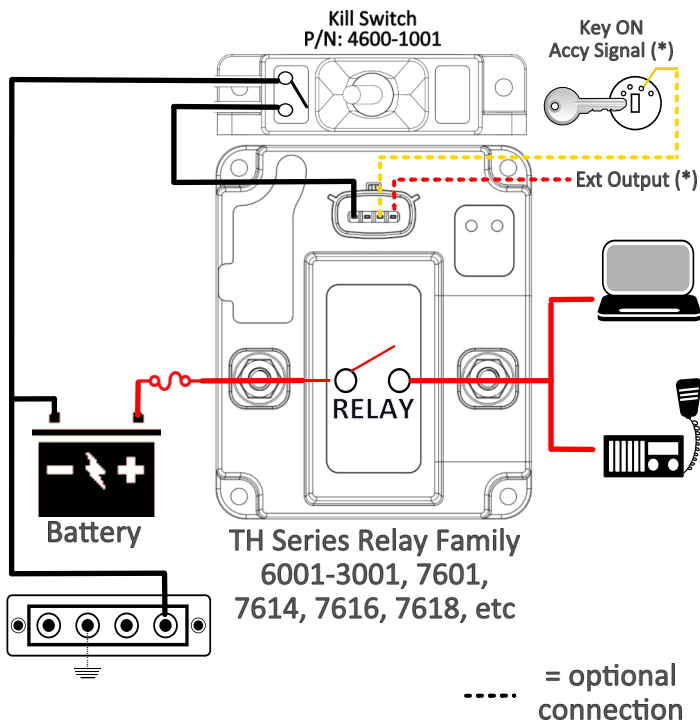
Product Dimensions



Product Schematics

Installation Schematic

*** DISCONNECT BATTERY FROM POWER DISTRIBUTION SYSTEM BEFORE INSTALLING PRODUCT TO PREVENT ELECTRICAL SHOCK OR PRODUCT DAMAGE**



Specifications

Max Total Continuous Current (Amps)	6
Wire Gauge	16
Wire Insulation OD	0.106" / 2.7 mm
Switch Only - Neck Clearance Hole	1/2" / M12
Switch Only - Neck Length	0.465" / 11.81 mm
Switch Only - Neck Threads	15/32 x 32, UNS-2A
Operating Temperature	-40 to 85 C

Part Numbers

	Resell Pack	Bulk Pack
Kill Switch Harness Kit	4600-1001	4600-1001B

Related Part Numbers

	12V	24V
TH Series 200A Time Delay Relay (TDR)	6001-3001	
TH Series 160A Time Delay Relay (TDR)	7601B	7601-24B
TH Series 2x80A Dual Output TDR	7616B	7616-24B
TH Series Dual Battery Charge Manager	7614B	7614-24B
160A Universal Voltage Sensitive Relay	7618B	7618-24B

* Custom product configurations available including stud sizes, and control harness wires. Low minimum quantities and short lead time for samples or production. Contact us at support@egismobile.com for more information



www.egismobile.com
360.768.1211
Bellingham, WA U.S.A

